

JC2C INSTRUCTIONS

***** This installation requires 2 people *****

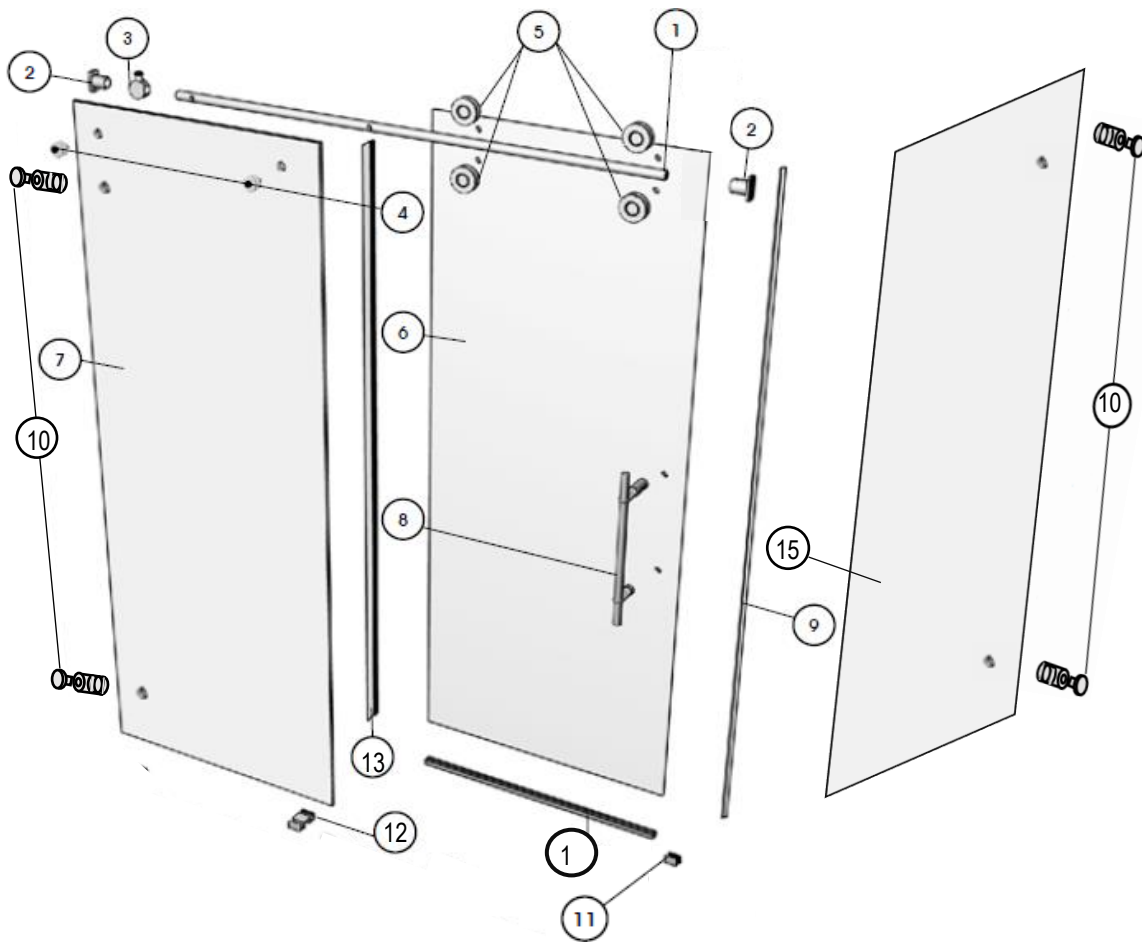


The shower unit must be secured to a wall stud on each side.

For safety reasons we recommend wearing protective glasses.

We also offer an instructional video on our website www.guskitchenandbath.com

List of Parts:



1. Rail
2. Rail Brackets
3. Stopper
4. Glass Holders
5. Twin Wheels
6. Sliding Door
7. Fixed Panel
8. Door Handle
9. Door Gasket
10. Wall Mounts
11. Guide Block
12. Panel Guide Block
13. Door Gasket
14. Door Threshold
15. Side Panel

Provided Tools



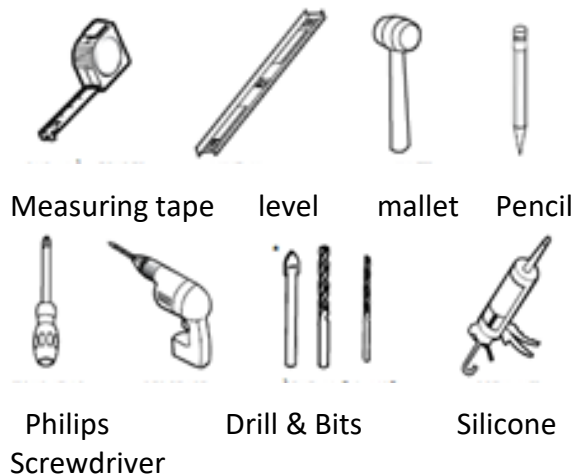
Adjustment tool for glass holders

Alan Keys

Screws

Caps

Required Tools



Measuring tape

level

mallet

Pencil

Philips Screwdriver

Drill & Bits

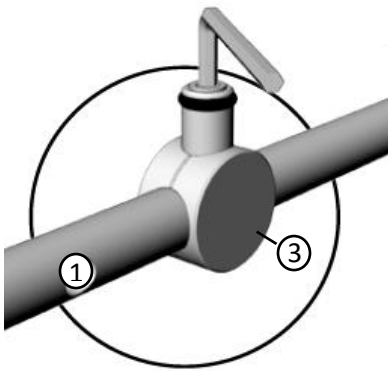
Silicone

1. Gasket Installation

- a. Place door panel (6) inside shower area to simplify following installation procedures. Place the panel onto cushioned surface, such as a towel or cardboard, to prevent damage either to the panel or the shower base.
- b. Thoroughly clean the edge of the fixed panel (7) to prepare for silicone.



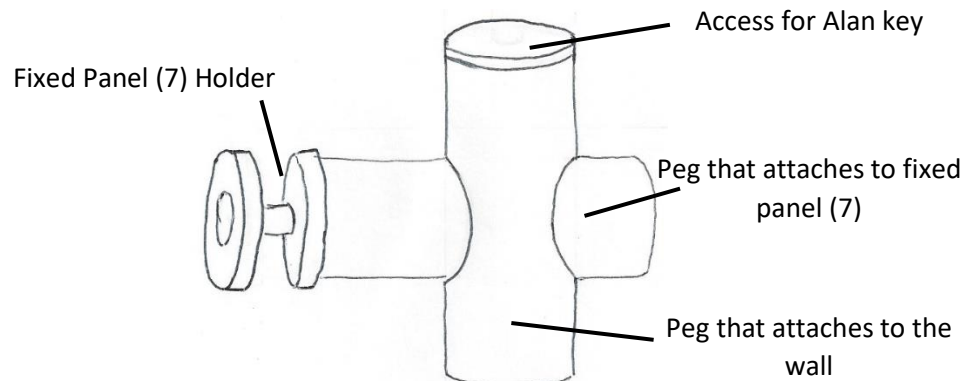
2. Rail Installation



- a. Position stoppers (3) on the rail (1) as illustrated. Secure it temporarily in place with an Alan key.
- b. Position the rail brackets (2) on the rail (1) as illustrated. Secure them temporarily in place.

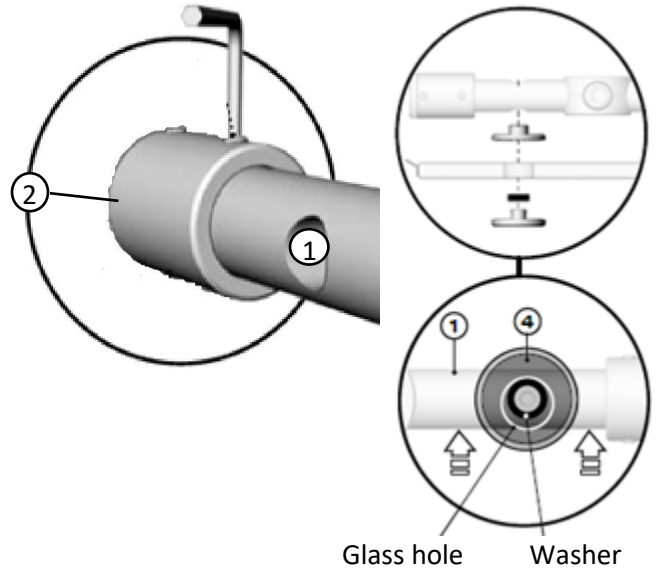
3. Side Panel

- a. Secure wall mounts (10) to side panel (15). Place the side panel in position ensuring with a level that the panel is straight, Place the guide block (11) and mark the location for wall mounts (10) and screw for guide block (11).
- b. Remove side panel (15) and predrill holes for wall mounts (10) and guide block (11). Install side panel (15)

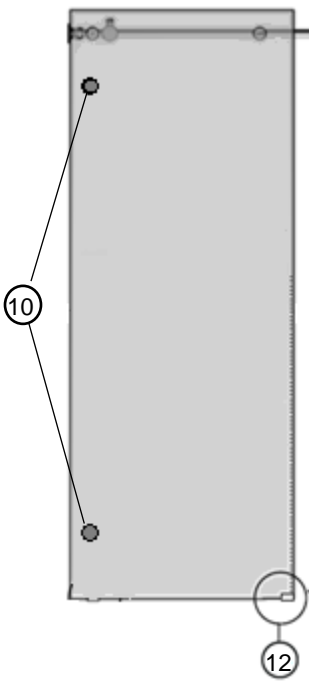


4. Glass Holders

- a. Fasten the rail (1) to the fixed panel (7) with the glass holders (4). Secure them temporarily.
- b. Secure wall mounts (10)
- c. Ensure that the rail (1) is at the highest possible position in reference to the fixed panel (7)



5. Guide Blocks

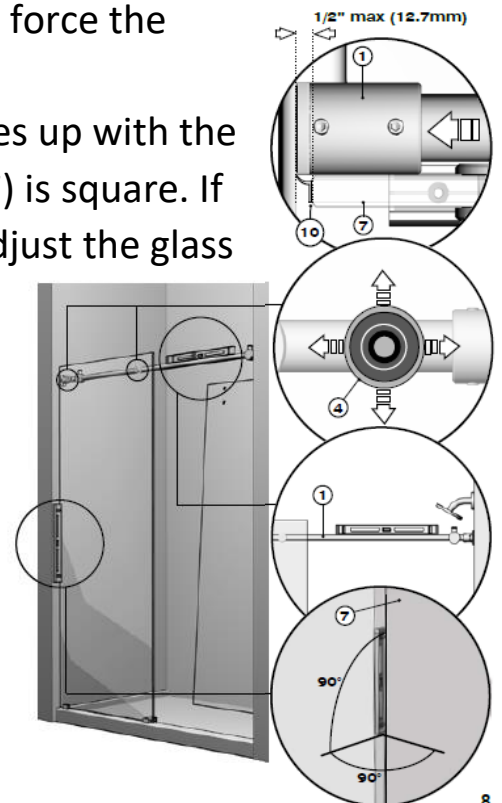


- a. Position the guide block (12) on the fixed panel as illustrated, flush with the glass, and the door threshold (14)

6. Fixed Panel Placement

- a. Adjust the fixed panel (7), so as to force the fixed panel (7) against the wall.
- b. Ensure that the rail (1) is level, lines up with the side panel and that the fixed panel (7) is square. If a horizontal correction is required, adjust the glass fasteners (4).

- c. Mark the screw locations for the wall brackets (2) on the walls on both sides of shower as well as the placement of guide blocks (12) and wall mounts (10)

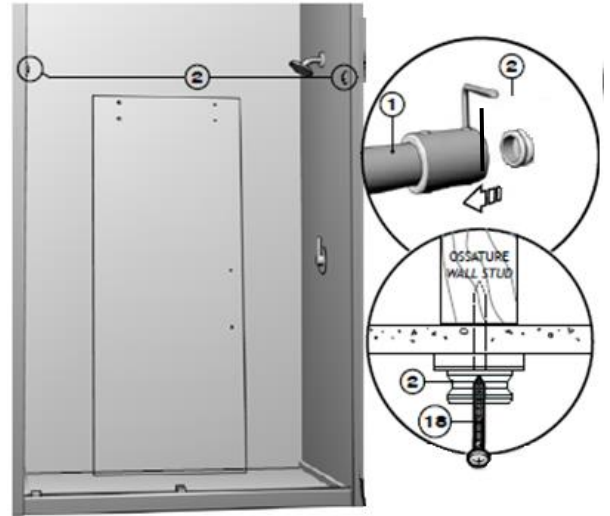


7. Wall Mounts

- a. With the help of an alan key, loosen the two wall mounts (10) as to separate them, keeping the one piece fastened to the fixed panel.
- b. Predrill holes for wall mounts (10) and guide block (12)

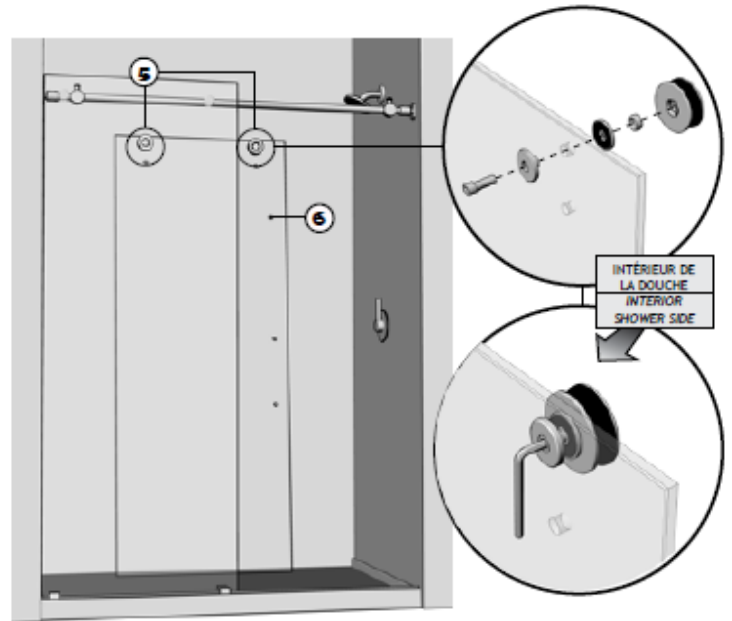
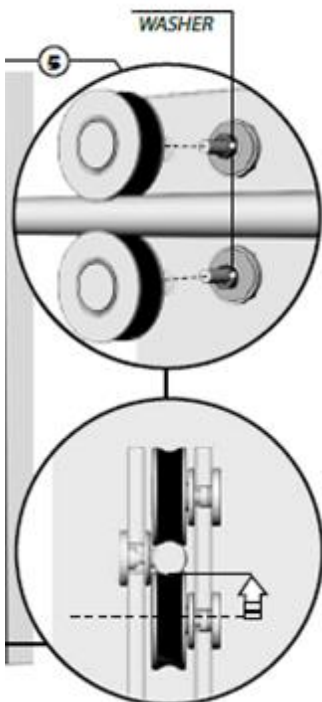
8. Rail Brackets

- Mark the screw locations on the walls on both sides of the shower. Remove the rail (1) from the wall brackets (2). Drill holes in the walls until wall stud is reached with a drill bit intended for ceramic tiles.
- Fasten the Rail brackets (2) with screws.
- Insert fixed panel (7) back, ensuring that the wall mounts (10) line up and that the panel is placed in the bottom door guide (12).
- Through the use of nonconcentric washers, adjust rollers (5) so that the sliding door panel (6) is parallel to the rail (1).



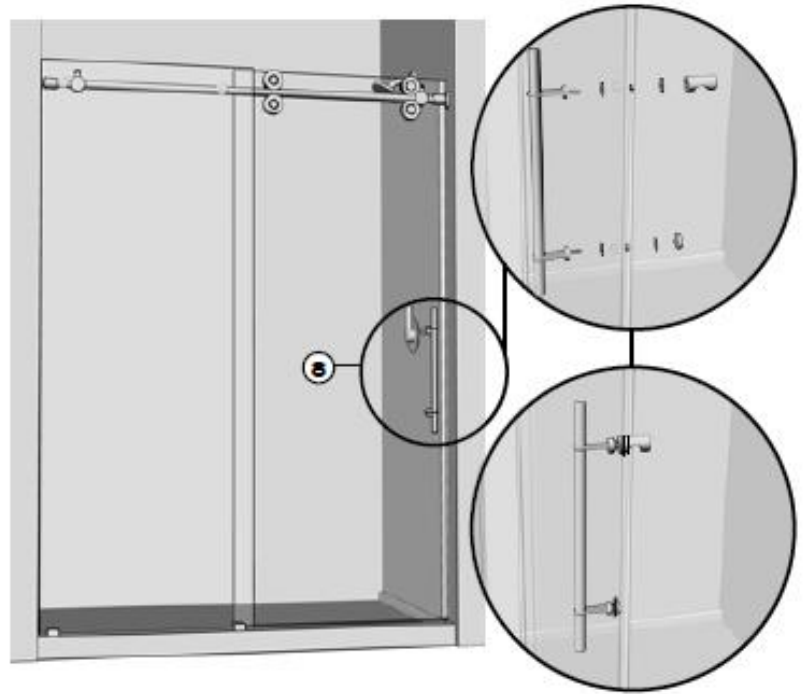
9. Sliding Door

- Assemble the 2 top rollers (5) to the door panel (6) as shown
- Install sliding door (6) ensuring that rollers (5) are fixed over the rail (1) and into slot in guide block (12)
- Install bottom rollers, making sure that they are tangent to the rail (1)
- Through the use of nonconcentric washers, adjust rollers (5) so that the sliding door panel (6) is parallel to the rail (1)



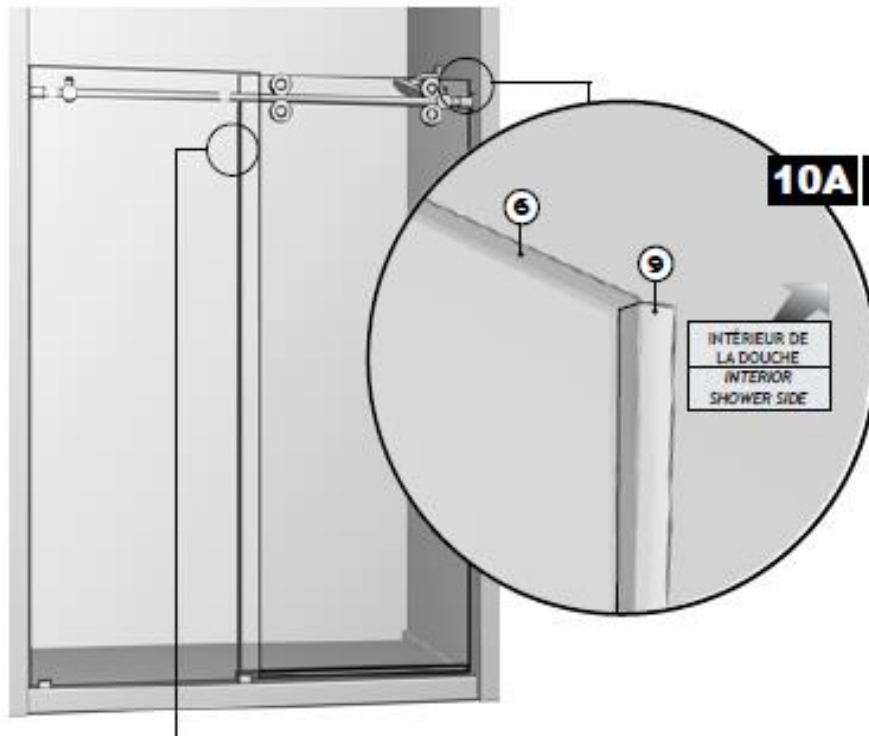
10. Straight Handle

- a. Install straight handle (8) onto sliding door (6). Ensure that clear washers on either side of the glass are installed
- b. Until stoppers are adjusted, be careful not to slam the door against the wall.



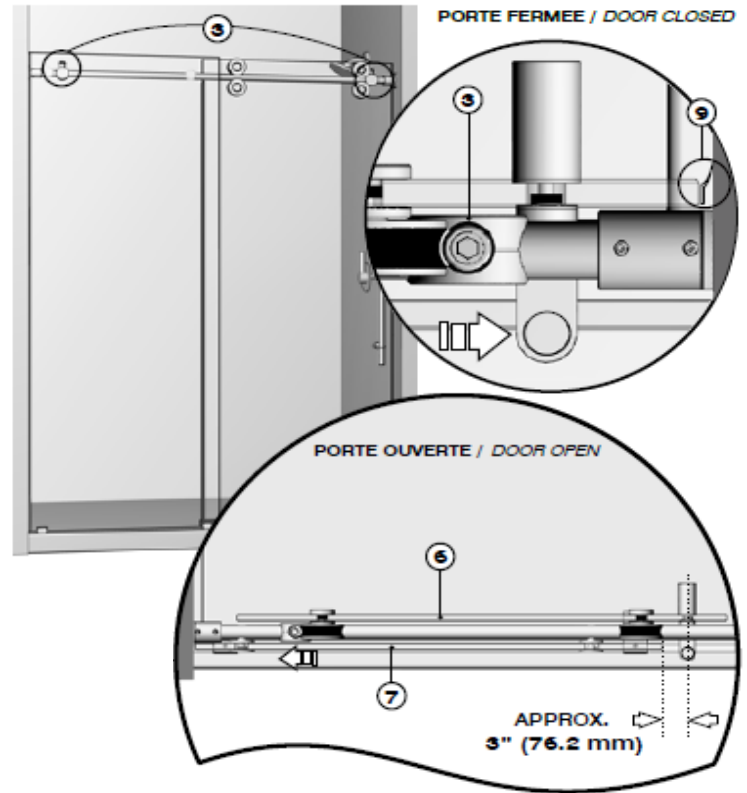
11. Gasket Installation

- a. Thoroughly clean the edge of the sliding door, closest to the side where the handle is located. Apply the door gaskets (9) to the edge of the sliding door (6) and the fixed panel (7) using a rubber mallet
- b. Install door side gasket (13) onto sliding door panel (6)



12. Stoppers

- a. Adjust the position of the stoppers (3) so as to ensure a maximum opening and closing range. Ensure that the sliding door gasket (9) is forced against the wall.



13. Silicone

- a. Apply silicone between the bottom of the fixed panel and the threshold of the base. Silicone application along the length of the threshold is also suggested. In both cases, it is done from the outside of the shower area

